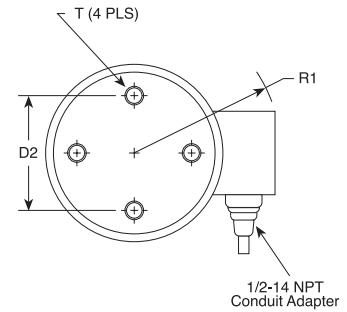
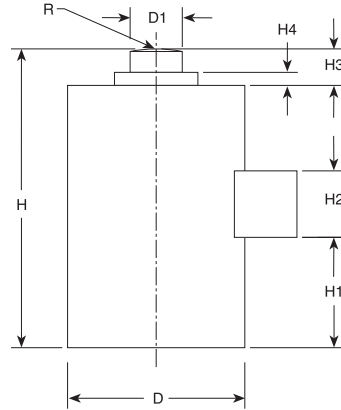


RL8C2P1SS Compression Canister, Stainless Steel

Hermetically-sealed, IP68, NTEP 1:10,000 Class III L Multiple Cell



Picture is a representation of actual product



RATED CAPACITY

| | D | D1 | D2 | H | H1 | H2 | H3 | H4 | R | R1 | T |
|------------------|-------|------|-------|-------|-------|------|------|-----|-------|-------|------------------------|
| lb/inches | | | | | | | | | | | |
| 50,000 | 4.50 | 1.25 | 2.38 | 7.50 | 1.17 | .75 | .75 | .25 | 8.00 | 3.75 | 3/8-24 UNF-2B X .63 D |
| 100,000 | 5.75 | 1.75 | 4.00 | 9.13 | 2.00 | .87 | 1.05 | .17 | 12.00 | 4.05 | 1/2-20 UNF-2B X .75 D |
| 200,000 | 7.50 | 2.50 | 5.50 | 11.63 | 2.93 | .97 | .97 | .17 | 12.00 | 5.11 | 5/8-18 UNF-2B X 1.00 D |
| kg/mm | | | | | | | | | | | |
| 22,679.6 | 114.3 | 31.8 | 53.4 | 190.5 | 77.7 | 19.1 | 19.1 | 6.4 | 203.2 | 95.3 | 3/8-24 UNF-2B X .63 D |
| 45,359.2 | 146.1 | 44.5 | 101.6 | 231.9 | 66.0 | 22.1 | 26.6 | 4.3 | 304.8 | 102.9 | 1/2-20 UNF-2B X .75 D |
| 90,718.5 | 190.5 | 63.5 | 139.7 | 295.4 | 100.0 | 24.6 | 24.6 | 4.3 | 304.8 | 129.8 | 5/8-18 UNF-2B X 25.4 D |

SPECIFICATIONS:

Full Scale Output: 2.0 mV/V
 Bridge Resistance: 350 ohms, nominal
 Material/Finish: Stainless steel
 Temperature: Compensated range 14°F to 104°F/-10°C to 40°C
 Safe Overload: 150% Full scale
 Rated Excitation: 10V DC (15V maximum)
 Non-repeatability: 0.01% Full scale
 Combined Error: 0.03% Full scale
 Insulation Resistance: >1000 megohms

Deflection at Capacity: 50,000 lb = .004"/102 mm,
 100,000 lb = .006"/.152 mm,
 200,000 lb = .009"/.228 mm
 Seal Type: Hermetically-sealed, IP68
 Cable Length: 35'/10.7 m
 Cable Color Code: Green..... + Excitation
 Black..... - Excitation
 White..... + Signal
 Red..... - Signal
 Orange..... Shield
 Warranty: 2-year limited warranty

RL8C2P1SS ORDER INFORMATION

| Load Rating | Part # | Price |
|--------------------------|--------|------------|
| 50,000 lb (22,679.6 kg) | 34855 | \$1,700.00 |
| 100,000 lb (45,359.2 kg) | 34856 | \$1,700.00 |
| 200,000 lb (90,718.5 kg) | 34857 | \$2,300.00 |

INTERCHANGEABLE PRODUCTS

| Manufacturer | Model |
|---------------------------|--------------------|
| Vishay Revere Transducers | (see page 285) 792 |