

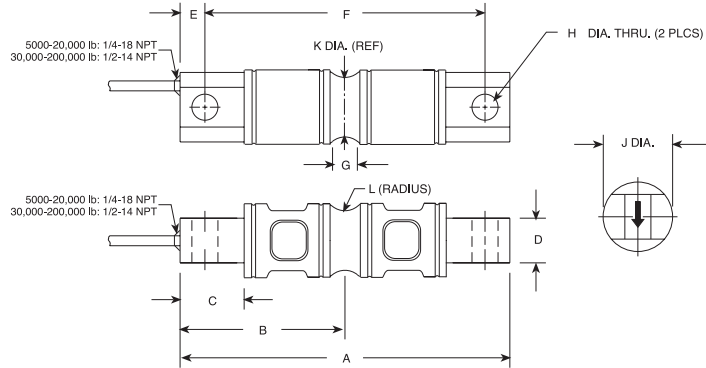


RL70000 Double-Ended Beam, Alloy Steel

NTEP 1:10,000 Class III Multiple Cell, IP67



Picture is a representation of actual product



RATED CAPACITY	DIMENSIONS											
	A	B	C	D	E	F	G	H	J	K	L	
lb/inches												
5000-10,000	8.12	4.06	1.44	1.12	.62	6.88	.62	.66	1.83	1.48	.50	
20,000	8.12	4.06	1.44	1.12	.62	6.88	.84	.66	1.83	1.48	.50	
30,000-60,000	10.25	5.12	1.88	2.37	.88	8.50	1.00	1.06	3.20	2.73	1.00	
100,000	11.25	5.62	1.88	2.50	.88	9.50	1.00	1.56	3.75	3.24	1.00	
150,000	11.25	5.62	1.88	2.80	.88	9.50	1.25	1.06	3.90	3.64	1.50	
200,000-250,000	16.10	8.05	3.05	4.60	1.55	13.00	1.30	1.56	5.38	5.17	2.00	

kg/mm	A	B	C	D	E	F	G	H	J	K	L
2268.0-9071.9	206.3	103.1	36.6	28.5	15.8	174.8	15.8	16.8	55.9	37.6	12.7
9071.9	206.3	103.1	36.6	14.2	21.3	174.8	21.3	16.8	52.8	37.6	12.7
13,607.8-27,215.6	260.4	130.1	47.8	60.2	22.4	215.9	25.4	26.9	81.3	69.3	25.4
45,359.4	285.8	142.8	47.8	63.5	22.4	241.3	25.4	26.9	95.3	82.3	25.4
68,038.8	285.8	142.8	47.8	63.5	22.4	241.3	31.8	26.9	99.1	92.5	38.1
90,718.5-113,398	409.0	204.5	77.5	116.8	39.4	330.2	33.0	39.6	136.7	131.3	50.8
113,398											

SPECIFICATIONS:

Full Scale Output:	3.0 mV/V	Deflection at Capacity:	5000 lb = .02"/.5 mm, 10,000 lb = .025"/.6 mm, 20,000 lb = .042"/1.1 mm, 30,000-50,000 lb = .02"/.5 mm, 60,000 lb = .025"/.6 mm, 100,000 lb = .02"/.5 mm
Bridge Resistance:	700 ohms, nominal	Seal Type:	Environmentally-sealed, IP67
Material/Finish:	High-alloy steel, nickel plated	Cable Length:	30'/9.1 m
Temperature:	Compensated range 14°F to 104°F/-10°C to 40°C	Cable Color Code:	Red + Excitation Black..... - Excitation Green..... + Signal White - Signal
Safe Overload:	150% Full scale	Warranty:	2-year limited warranty
Rated Excitation:	10V DC (15V maximum)		
Non-Repeatability:	0.01% Full scale		
Insulation Resistance:	5000 megohms		

RL70000 ORDER INFORMATION

Load Rating	Part #	Price
NTEP		
5000 lb (2268.0 kg)	36263	\$655.00
10,000 lb (4535.9 kg)	36264	\$655.00
20,000 lb (9071.9 kg)	36265	\$655.00
30,000 lb (13,607.8 kg)	36266	\$755.00
40,000 lb (18,143.7 kg)	36267	\$755.00
50,000 lb (22,679.6 kg)	36268	\$755.00
60,000 lb (27,215.5 kg)	36269	\$755.00
100,000 lb (45,359.2 kg)	36270	\$1,475.00
150,000 lb (68,038.8 kg)	36976	\$1,475.00
200,000 lb (90,718.5 kg)	36977	\$2,450.00
Non-NTEP		
250,000 lb (113,398.0 kg)	36978	\$2,775.00

INTERCHANGEABLE PRODUCTS

Manufacturer	Model
Vishay Revere Transducers	5103
Artech	70210

WEIGH MODULE AVAILABLE

Model	Page #
EZ Mount 1	60