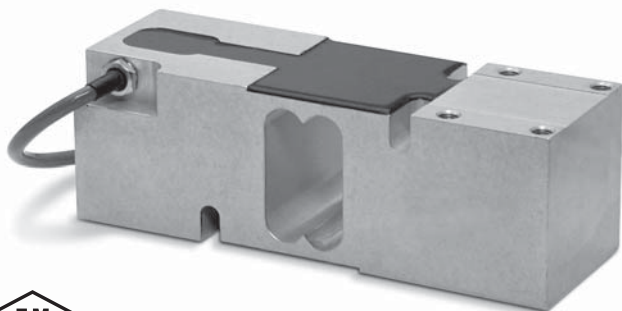
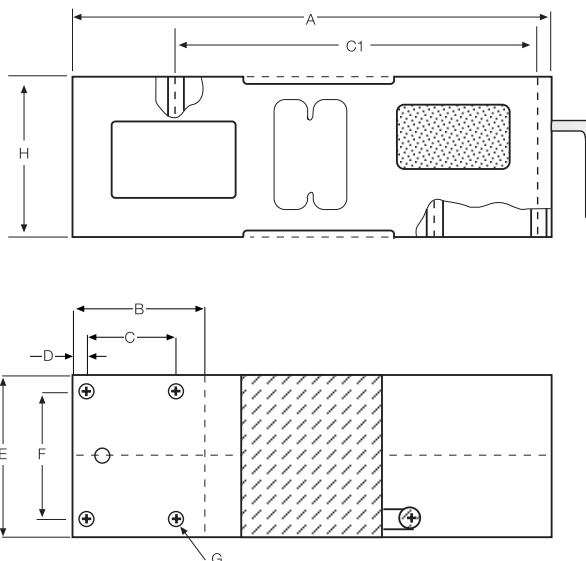


# RL1260 Single Point, Aluminum NTEP 1:5000 Class III Single Cell



Picture is a representation of actual product



| RATED CAPACITY                   | DIMENSIONS |      |      |     |      |      |                |      |
|----------------------------------|------------|------|------|-----|------|------|----------------|------|
|                                  | A          | B    | C    | D   | E    | F    | G              | H    |
| <b>kg/mm</b><br>50-635           | 188        | 52   | 35   | 5.5 | 63.5 | 50   | 5/16-18 UNC-2B | 62.3 |
| <b>lb/inches</b><br>110.2-1400.2 | 7.40       | 2.05 | 1.38 | .22 | 2.49 | 1.97 | 5/16-18 UNC-2B | 2.45 |

### SPECIFICATIONS:

|                               |  |                           |   |
|-------------------------------|--|---------------------------|---|
| <b>Full Scale Output:</b>     | 2.0 mV/V   | <b>Seal Type:</b>         | Environmentally-sealed  |
| <b>Bridge Resistance:</b>     | 350 ohms, nominal                                | <b>Cable Length:</b>      | 3.1 m/10'   |
| <b>Material/Finish:</b>       | Anodized aluminum                                | <b>Cable Color Code:</b>  | Green ..... + Excitation<br>Black ..... - Excitation<br>Blue ..... + Sense<br>Brown ..... - Sense<br>Red ..... + Signal<br>White ..... - Signal |
| <b>Temperature:</b>           | Compensated range<br>14°F to 104°F/-10°C to 40°C | <b>Max Platform Size:</b> | 24' x 24'   |
| <b>Safe Overload:</b>         | 200% of full scale at center loading point       | <b>Warranty:</b>          | 2-year limited warranty   |
| <b>Rated Excitation:</b>      | 10V DC (15V maximum)                             |                           |   |
| <b>Total Error:</b>           | 0.02% Full scale                                 |                           |   |
| <b>Insulation Resistance:</b> | 5000 megohms                                     |                           |   |

### RL1260 ORDER INFORMATION

| Load Rating              | Part #     | Price    |
|--------------------------|------------|----------|
| 50 kg (110.2 lb) .....   | 41020..... | \$310.00 |
| 75 kg (165.4 lb) .....   | 41021..... | \$310.00 |
| 100 kg (220.5 lb) .....  | 41022..... | \$310.00 |
| 200 kg (440.9 lb) .....  | 41023..... | \$310.00 |
| 250 kg (551.2 lb) .....  | 41024..... | \$310.00 |
| 300 kg (661.4 lb) .....  | 41025..... | \$310.00 |
| 500 kg (1102.3 lb) ..... | 41026..... | \$310.00 |
| 635 kg (1400 lb) .....   | 41027..... | \$310.00 |

### INTERCHANGEABLE PRODUCTS

| Manufacturer                 | Model               |
|------------------------------|---------------------|
| Vishay TedeA-Huntleigh ..... | (see page 356) 1260 |
| HBM .....                    | (see page 250) PW16 |